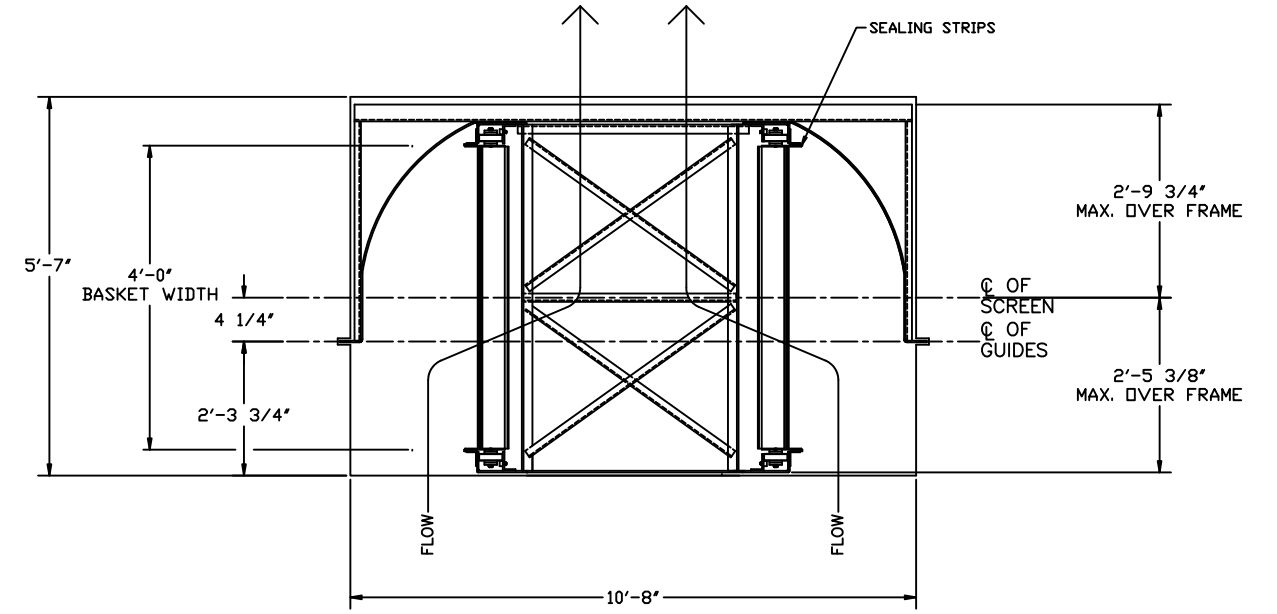
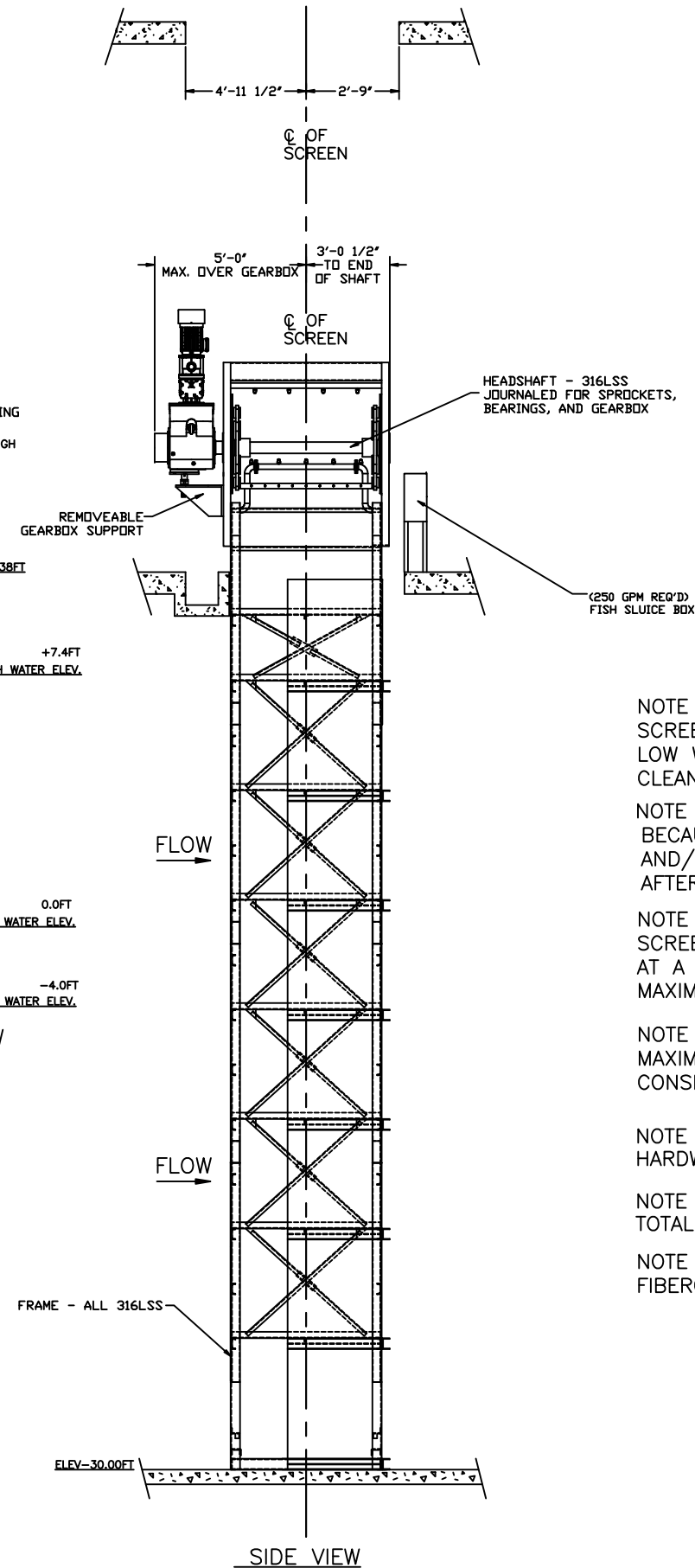
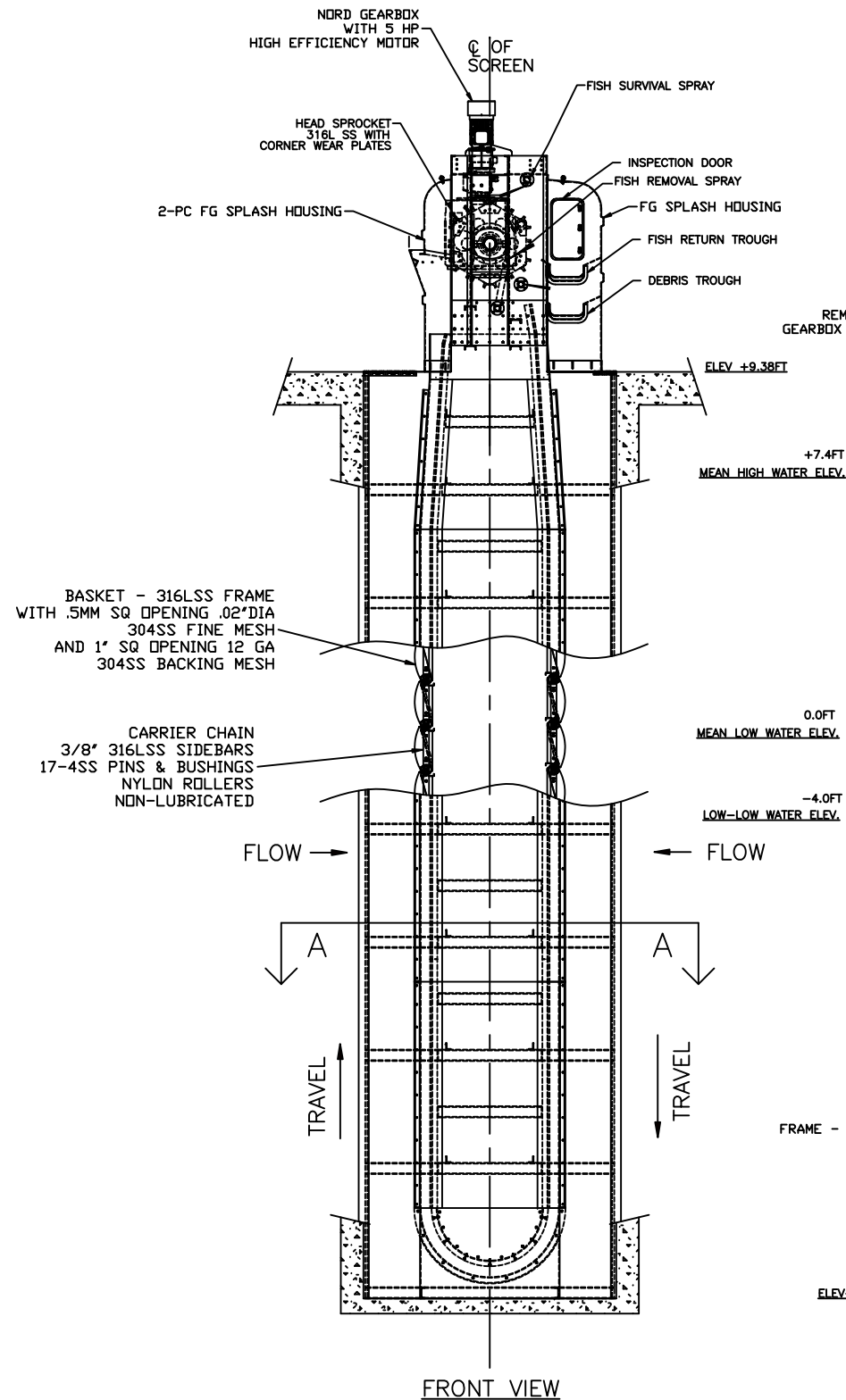


# SPRAY WASH REQUIREMENTS

DEBRIS REMOVAL		FISH REMOVAL		FISH SURVIVAL	
G.P.M.	P.S.I.	G.P.M.	P.S.I.	G.P.M.	P.S.I.
180	40	80	10	80	10

## ROOF OPENING



NOTE 1:  
 SCREEN WILL PASS A NORMAL FLOW OF 52,000 GPM AT A LOW WATER DEPTH OF 26 FT. THROUGH A 100% CLEAN SCREEN AT A VELOCITY OF 2.40 F.P.S.

NOTE 2:  
 BECAUSE OF ROOF OPENING LIMITATIONS THE HEADSHAFT AND/OR HEAD SECTION WILL HAVE TO BE INSTALLED AFTER MAIN FRAME IS LOWERED INTO WELL.

NOTE 3:  
 SCREEN IS DESIGNED TO START AT 10 F.P.M. AT A HEADLOSS OF 10 FT. AT MAX. WATER LEVEL. MAXIMUM SPEED IS 30 F.P.M.

NOTE 4:  
 MAXIMUM ALLOWABLE DIFFERENTIAL ACROSS SCREEN CONSIDERED FOR STRUCTURAL DESIGN IS 10 FT.

NOTE 5:  
 HARDWARE: ALL FRAMING HARDWARE IS 316SS.

NOTE 6:  
 TOTAL SCREEN WEIGHT APPROX. 40,000 LBS.

NOTE 6:  
 FIBERGLASS HOUSINGS ARE ATLAS STANDARD BLUE GEL COAT.

THIS DRAWING IS THE PROPERTY OF ATLAS MANUFACTURING COMPANY, INC. ITS CONTENT IS PROPRIETARY INFORMATION AND MAY NOT BE COPIED OR TRANSFERRED TO OTHERS WITHOUT PRIOR WRITTEN CONSENT.

PROPOSAL DRAWING			
(5) 4'-0" BW RISTROPH DESIGN			
DUAL FLOW TRAVELING WATER SCREENS			
DRAWN BY	DATE	DRAWING NO.	REV.
JC	10-25-10	SP10-318	
APPROVED BY	SCALE		
	00		